

Small-sized Pressure Transducer



*CE compliant models are available. Inquiries are welcome.
*Models with an air vent are available.
When ordering, suffix "M1" to model numbers stated below.

Compact & lightweight

- Not affected by atmospheric pressure change
- Strong against vibration and impact

PGS-A series pressure transducers are designed and manufactured to be especially compact and lightweight.

Specifications

Performance

Rated Capacity	See table below.
Nonlinearity	Within $\pm 0.2\%$ RO (20KA: Within $\pm 0.3\%$ RO) (10KA: Within $\pm 0.4\%$ RO)
Hysteresis	Within $\pm 0.2\%$ RO
Repeatability	0.1% RO or less
Rated Output	2 mV/V $\pm 0.5\%$

Environmental Characteristics

Safe Temperature	-20 to 70°C
Compensated Temperature	-10 to 60°C
Temperature Effect on Zero	Within $\pm 0.02\%$ RO/°C
Temperature Effect on Output	Within $\pm 0.01\%$ /°C

Electrical Characteristics

Safe Excitation	15 V AC or DC
Recommended Excitation	1 to 10 V AC or DC
Input Resistance	600 Ω $\pm 17.5\%$
Output Resistance	500 Ω $\pm 1\%$
Accessory Cable	4-conductor (0.3 mm ²) chloroprene shielded cable, 4.5 mm diameter by 3 m long Sensor side: Terminated with a connector plug R06-P5F Measuring instrument side: Terminated with a connector plug PRC03-12A10-7M (Shield wire is not connected to the case.)

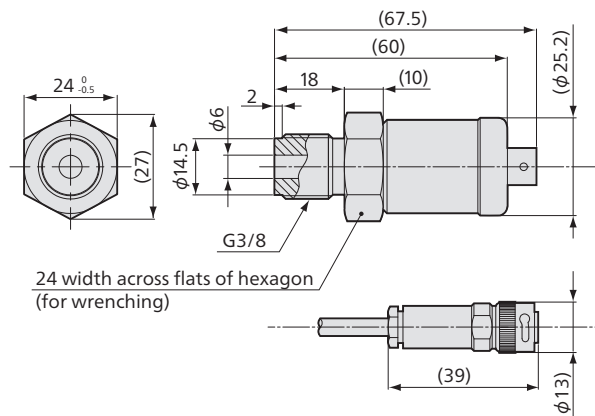
Mechanical Properties

Safe Overloads	150%
Natural Frequencies	See table below.
Material	Case: Anode oxidized coated aluminum Liquid-contacting part: SUS 630
Weight	Approx. 120 g (Excluding cable)
Degree of Protection	IP52 (IEC 60529)
Mounting Screw	G3/8, male

Standard Accessories Gasket (Mild copper)

Models	Rated Capacity	Natural Frequencies (Approx.)
PGS-10KA	1 MPa	11 kHz
PGS-20KA	2 MPa	17 kHz
PGS-50KA	5 MPa	27 kHz
PGS-100KA	10 MPa	35 kHz
PGS-200KA	20 MPa	52 kHz
PGS-300KA	30 MPa	64 kHz
PGS-500KA	50 MPa	85 kHz

Dimensions



Connector plug
PRC03-12A10-7M

